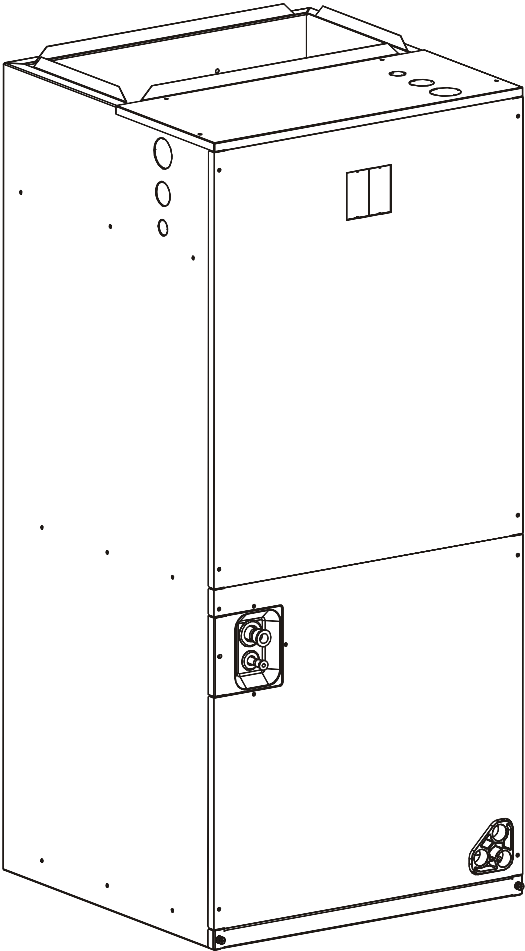


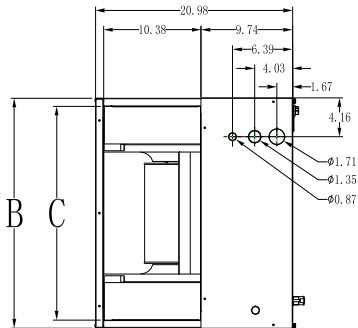
# Submittal

4 Ton Capacity  
Convertible Air Handler  
E4AH5E48A1K30A



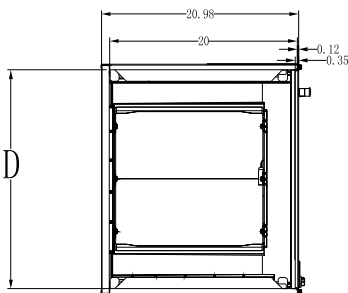
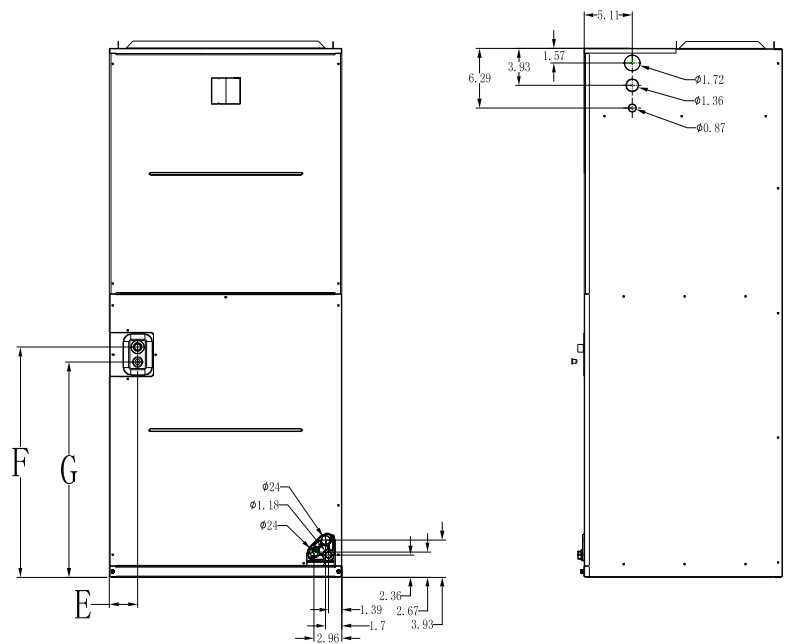
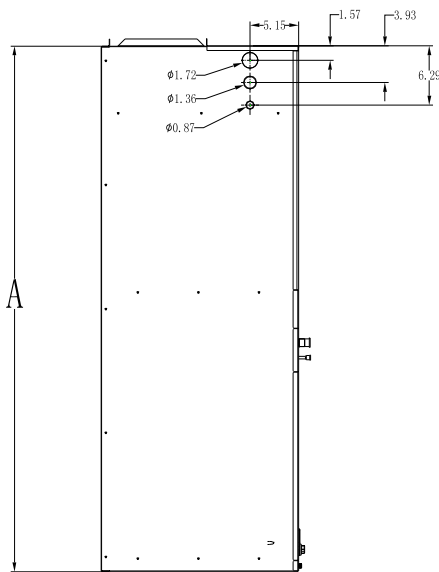
**E4AH5E48A1K-SUB-1A-EN**

# Outline Drawing



MINIMUM UNIT CLEARANCE TABLE	
	SERVICE CLEARANCE (RECOMMENDED)
SIDES	6"
FRONT	6"
BACK	6"
INLET DUCT	6"
OUTLET DUCT	118"

NOTE: THIS UNIT IS APPROVED FOR INSTALLATION CLEARANCES TO COMBUSTIBLE MATERIAL AS STATED ON THE UNIT RATING NAMEPLATE



PRODUCT DIMENSIONS									
Air Handler Model	A	B	C	D	E	F	G	Flow Control	Gas Line Braze
E4AH5E48A1K30A	55.9	24.49	22.76	23.31	2.98	24.3	22.78	TXV	7/8"
All dimensions are in inches									

**NOTE: ALL DIMENSIONS ARE REFERENCE DIMENSIONS**

# Product Specifications

<b>MODEL</b>	E4AH5E48A1K30A
<b>RATED VOLTS/PH/HZ</b>	208-230/1/60
<b>RATINGS(a)</b>	See O.D. Specifications
<b>INDOOR COIL — Type</b>	Plate Fin
Rows — F.P.I.	4-18
Face Area (sq. ft.)	5.56
Tube Size (in.)	1/4"
Refrigerant Control	TXV
Drain Conn. Size (in.)(b)	3/4" NPT
<b>DUCT CONNECTIONS</b>	<b>See Outline Drawing</b>
<b>INDOOR FAN — Type</b>	Centrifugal
Diameter-Width (In.)	12-1/4"-13"
No. Used	1
Drive - No. Speeds	Direct - 5
CFM vs. in. w.g.	See Fan Performance Table
No. Motors — H.P.	1-3/4
Motor Speed R.P.M.	1050
Volts/Ph/Hz	208-230/1/60
F.L. Amps	5.4
<b>FILTER</b>	
Filter Furnished? (c)	NO

<b>REFRIGERANT</b>	<b>R-410A</b>
Ref. Line Connections	Brazed
Coupling or Conn. Size — in. Gas	7/8"
Coupling or Conn. Size — in. Liq.	3/8"
<b>DIMENSIONS</b>	H x W x D
Crated (In.)	24-1/2"x62"x28"
Uncrated	21"x56"x24-1/2"
<b>WEIGHT</b>	
Shipping (Lbs.) / Net (Lbs.)	123/110

(a) These Air Handlers are A.H.R.I certified with various Split System Air Conditioners and Heat Pumps (AHRI STANDARD 210/240). Refer to the Split System Outdoor Unit Product Data Guides for performance data.

(b) 3/4" Male Plastic Pipe (Ref: ASTM 1785–76)

(c) Remote filter required.

# Minimum Airflow CFM

E4AH5E48A1K30A	
Heater	Minimum Heat Speed Tap With Heat Pump
BAYHTR1605BRKA BAYHTR1610BRKA BAYHTR1615BRKA	Tap 3
BAYHTR1620BRKA	Tap 4

# Heater Pressure Drop Table

Airflow CFM	Number of Racks				Heater Racks	
	1	2	3	4	Heater Model	No. of Racks
	Air Pressure Drop — Inches W.G.					
1800	0.02	0.04	0.06	0.14	BAYHTR16 05BRKA	1
1700	0.02	0.04	0.06	0.14	BAYHTR16 10BRKA	2
1600	0.02	0.04	0.06	0.13	BAYHTR16 15BRKA	3
1500	0.02	0.04	0.06	0.12	BAYHTR16 20BRKA	4
1300	0.02	0.04	0.06	0.12		
1200	0.01	0.04	0.05	0.11		
1100	0.01	0.03	0.05	0.10		
1000	0.01	0.03	0.05	0.09		
900	0.01	0.03	0.04	0.09		
800	0.01	0.03	0.04	0.08		
700	0.01	0.02				
600	0.01	0.02				

# Performance and Electrical Data

See product data or air handler nameplate for approved combinations of air handlers and heaters.

**Table 1. Air Flow Performance**

E4AH5E48A1K30A					
EXTERNAL STATIC (in w.g)	AIRFLOW				
	Speed Taps: 208 – 230 VOLTS				
	Tap 1	Tap 2	Tap 3	Tap 4	Tap 5
0.1	927	1175	1465	1682	1903
0.2	905	1174	1428	1648	1863
0.3	857	1100	1391	1612	1819
0.4	796	1066	1353	1575	1784
0.5	785	1031	1325	1533	1744
0.6	744	957	1293	1498	1708
0.7	717	917	1254	1453	1666
0.8	676	879	1174	1401	1616

1. Values are with dry coil, no filter, and no heaters  
 2. CFM Correction for dry coil = Reduce 3%

**Table 2. Electrical Data**

E4AH5E48A1K30A											
Heater Model No.	No. of Circuits / Phases	230 Volt					208 Volt				
		Capacity		Heater Amps per Circuit	Minimum Circuit Ampacity	Maximum Overload Protection	Capacity		Heater Amps per Circuit	Minimum Circuit Ampacity	Maximum Overload Protection
		KW	BTUH				KW	BTUH			
No Heater				5.4*	7.0	15			5.4*	7.0	15
BAYHTR 1605BRKA	1/1	5	17000	20	25	30	3.75	12800	18	23	25
BAYHTR 1610BRKA	1/1	10	34000	40	50	60	7.5	25500	36	45	50
BAYHTR 1615BRKA	1/1	5 + 15	51000	20+40	25+50	30+60	3.75 + 7.5	38500	18+36	23+45	25+50
BAYHTR 1620BRKA	1/1	10 + 10	68000	40+40	50+50	60+60	7.5 + 7.5	51200	36+36	45+45	50+50

\* = Motor Amps

# Features and Benefits

- Galvanized metal cabinet with captured foil face insulation
- 2% or less air leakage
- R-4.2 Insulating Value
- Multi-Position UP, Horizontal Left /Right
- Copper-Aluminum Coils
- Electric Heaters with polarized plug connections (sold as accessory)
- R-410A Thermal Expansion Valve
- ECM Motor ( **2.0 – 5 Ton Models** )
- Low Voltage Pigtail Connections
- Draw Through Design
- Vertical and Horizontal Drain pan
- Single Color
- Fused 24V Power
- **5 year warranty**
- **Optional extended warranty available**

## About Trane and American Standard Heating and Air Conditioning

Trane and American Standard create comfortable, energy efficient indoor environments for residential applications. For more information, please visit [www.trane.com](http://www.trane.com) or [www.americanstandardair.com](http://www.americanstandardair.com).

---



The manufacturer has a policy of continuous data improvement and it reserves the right to change design and specifications without notice. We are committed to using environmentally conscious print practices.